

34319-1 ✓ ACTIVE

SOLISTRAND

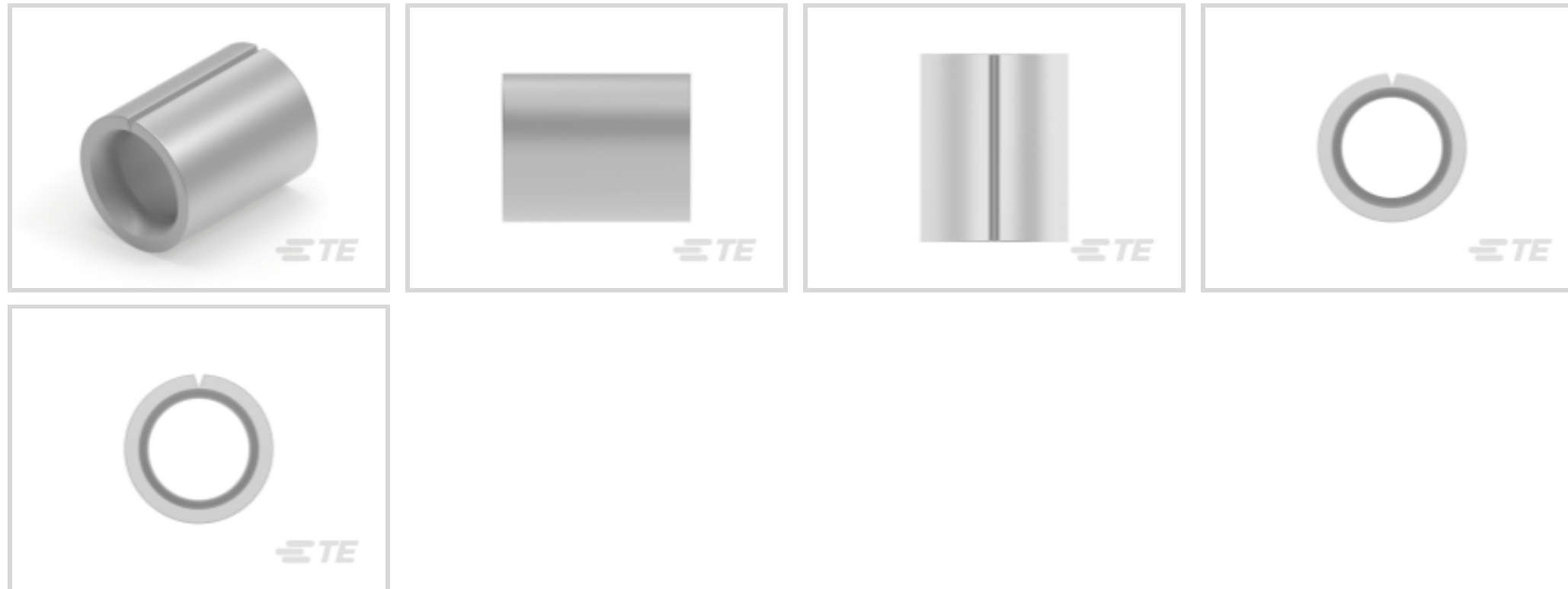
TE Internal #: 34319-1

Splices, 6 AWG Wire Size, 10.5 – 16.8 mm² Wire Size, Standard, .232 in [5.83 mm] Barrel Inside Diameter, 20800 – 33100 CMA Wire Size, Copper

[View on TE.com >](#)



Terminals & Splices > Splices



Wire Size: 10.5 – 16.8 mm²

Sealable: No

Splice Features: **Standard**

Barrel Inside Diameter: 5.83 mm [.232 in]

Features

Product Type Features

Splice Accessory Type	Splice
Sealable	No
Splice Type	Parallel Splice
Serrated	No
Compatible With Discrete Wire Type	Solid, Stranded
Wire Insulation Support Retention Type	Non-Insulation Support

Configuration Features

Compatible With Wire & Cable Type	Discrete Wire
-----------------------------------	---------------

Body Features

Plating Material	Tin-Lead
Splice Features	Standard
Primary Product Material	Copper

Contact Features

Contact Plating Material	Tin-Lead
--------------------------	----------



Contact Plating Thickness	2.54 µm[100 µin]
---------------------------	------------------

Barrel Type	Closed
-------------	--------

Mechanical Attachment

Wire Insulation Support	Without
-------------------------	---------

Dimensions

Wire Size	20800 – 33100 CMA
-----------	-------------------

Barrel Inside Diameter	5.83 mm[.232 in]
------------------------	------------------

Terminal Material Thickness	1.45 mm[.057 in]
-----------------------------	------------------

Overall Product Length	11.1 mm[.437 in]
------------------------	------------------

Usage Conditions

Insulation Option	Uninsulated
-------------------	-------------

Operating Temperature Range	170 °C[338 °F]
-----------------------------	----------------

Operation/Application

Heavy Duty	No
------------	----

Compatible With Wire Base Material	Copper
------------------------------------	--------

Industry Standards

Government Qualified Splice	No
-----------------------------	----

Packaging Features

Splices per Kit	500
-----------------	-----

Packaging Method	Loose Piece
------------------	-------------

Product Compliance

[For compliance documentation, visit the product page on TE.com>](#)

EU RoHS Directive 2011/65/EU	Not Compliant
------------------------------	---------------

EU ELV Directive 2000/53/EC	Not Compliant
-----------------------------	---------------

China RoHS 2 Directive MIIT Order No 32, 2016	Restricted Materials Above Threshold
---	--------------------------------------

EU REACH Regulation (EC) No. 1907/2006	Current ECHA Candidate List: JUNE 2022 (224) Candidate List Declared Against: JAN 2022 (223) SVHC > Threshold: Pb (40% in Component Part)
--	--

Article Safe Usage Statements:

Do not eat, drink or smoke when using this product. Wash thoroughly after handling. Recycle if possible and dispose of the article by following all applicable governmental regulations relevant to your geographic location.

Halogen Content	Low Halogen - Br, Cl, F, I < 900 ppm per
-----------------	--

homogenous material. Also BFR/CFR/PVC Free

Solder Process Capability

Not applicable for solder process capability

Product Compliance Disclaimer

This information is provided based on reasonable inquiry of our suppliers and represents our current actual knowledge based on the information they provided. This information is subject to change. The part numbers that TE has identified as EU RoHS compliant have a maximum concentration of 0.1% by weight in homogenous materials for lead, hexavalent chromium, mercury, PBB, PBDE, DBP, BBP, DEHP, DIBP, and 0.01% for cadmium, or qualify for an exemption to these limits as defined in the Annexes of Directive 2011/65/EU (RoHS2). Finished electrical and electronic equipment products will be CE marked as required by Directive 2011/65/EU. Components may not be CE marked. Additionally, the part numbers that TE has identified as EU ELV compliant have a maximum concentration of 0.1% by weight in homogenous materials for lead, hexavalent chromium, and mercury, and 0.01% for cadmium, or qualify for an exemption to these limits as defined in the Annexes of Directive 2000/53/EC (ELV). Regarding the REACH Regulation, the information TE provides on SVHC in articles for this part number is based on the latest European Chemicals Agency (ECHA) 'Guidance on requirements for substances in articles' posted at this URL: <https://echa.europa.eu/guidance-documents/guidance-on-reach>

Compatible Parts



TE Part # 1490414-2
 HYP10 SOLIS HD 6-4AWG INDENTER



TE Part # 601075
 BANTAM ROTA-CRIMP TOOL



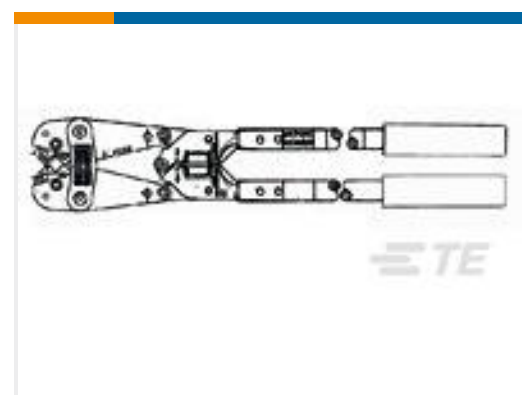
TE Part # 69217
 HYP8/10 SOLIS 6AWG DIE SET



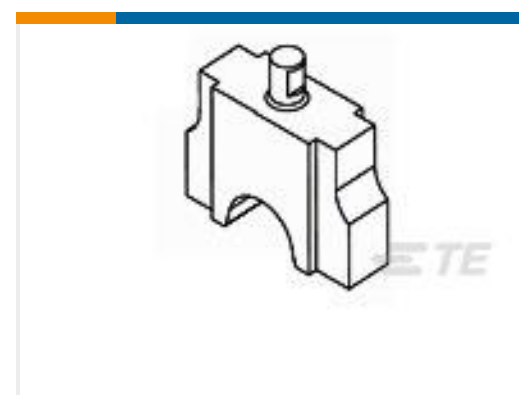
TE Part # 48127
 HYP8 SOLIS 6-2AWG INDENTER



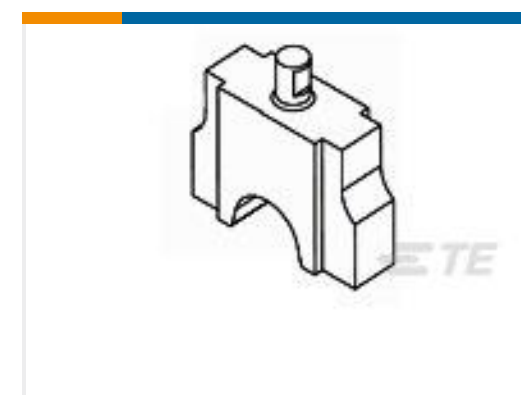
TE Part # 1490413-2
 HYP10 SOLIS HD 8AWG NEST



TE Part # 600850
 ROTO-CRIMP TOOL (ASI)



TE Part # 1901000-1
 NEST #6



TE Part # 1901002-1
 INDENTER, SOLISTRAND



TE Part # 48128
 HYP8 SOLIS 6AWG NEST



TE Part # 68136
 PNEU HT SOLIS 6 ASSY

Documents

Product Drawings



SOLIS, PARA 6 60/40 SN-PB

English

CAD Files

Customer View Model

[ENG_CVM_CVM_34319-1_U.2d_dxf.zip](#)

English

3D PDF

3D

Customer View Model

[ENG_CVM_CVM_34319-1_U.3d_igs.zip](#)

English

Customer View Model

[ENG_CVM_CVM_34319-1_U.3d_stp.zip](#)

English

By downloading the CAD file I accept and agree to the [Terms and Conditions](#) of use.

Datasheets & Catalog Pages

[SOLISTRAND - QRG](#)

English